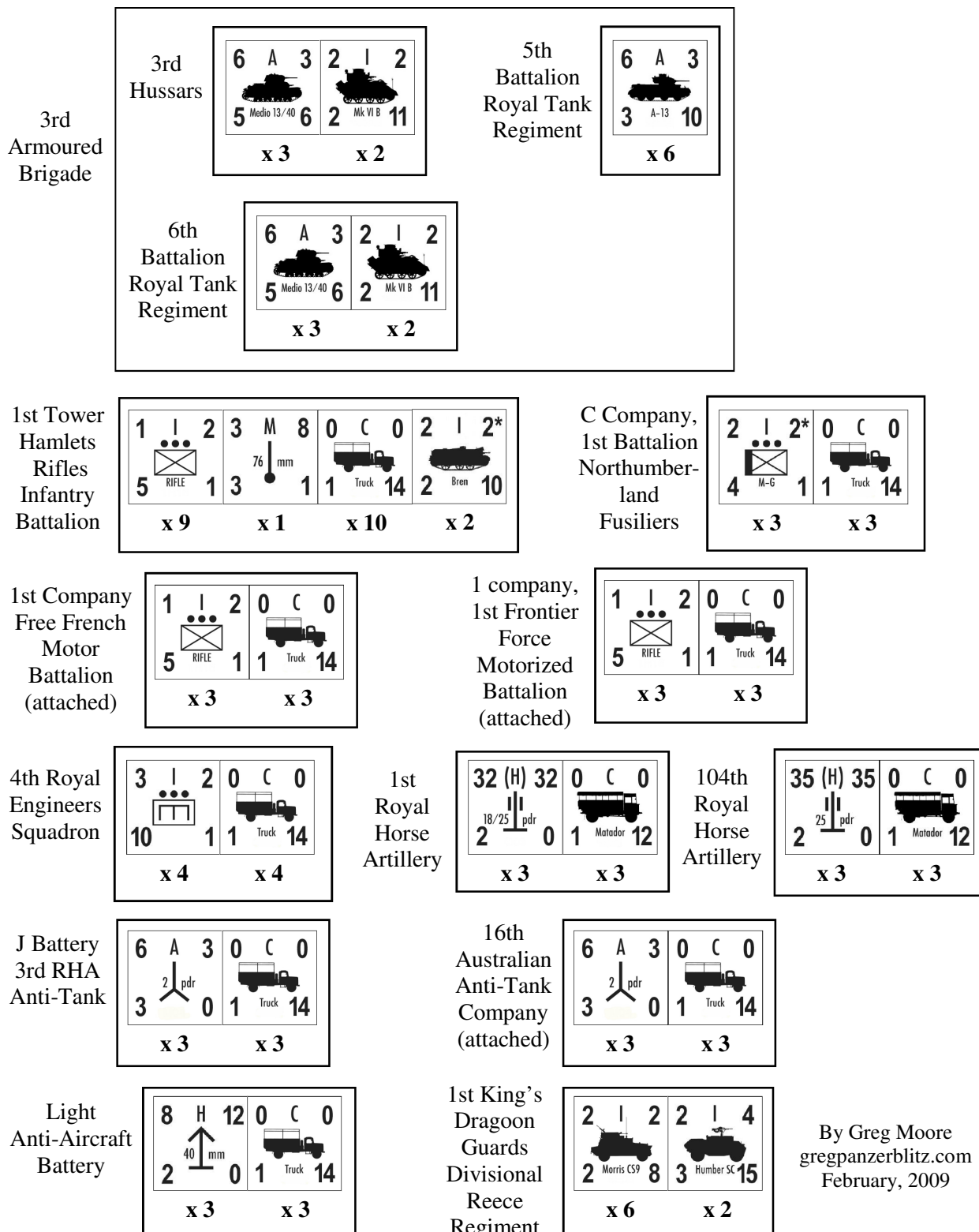


British 2nd Armoured Division

April, 1941



By Greg Moore
gregpanzerblitz.com
 February, 2009

The hard luck 2nd Armoured Division was brought in to replace the 7th Armoured after the highly successful Operation Compass. The 2nd was an inexperienced and seriously understrength formation with half of its tank strength consisting of captured Italian tanks and was destroyed in Rommel's offensive. Some remnants escaped to Tobruk but most of the division surrendered to the Axis at Mechili on April 8. The 2nd Armoured Division was officially disbanded in May and never reformed.