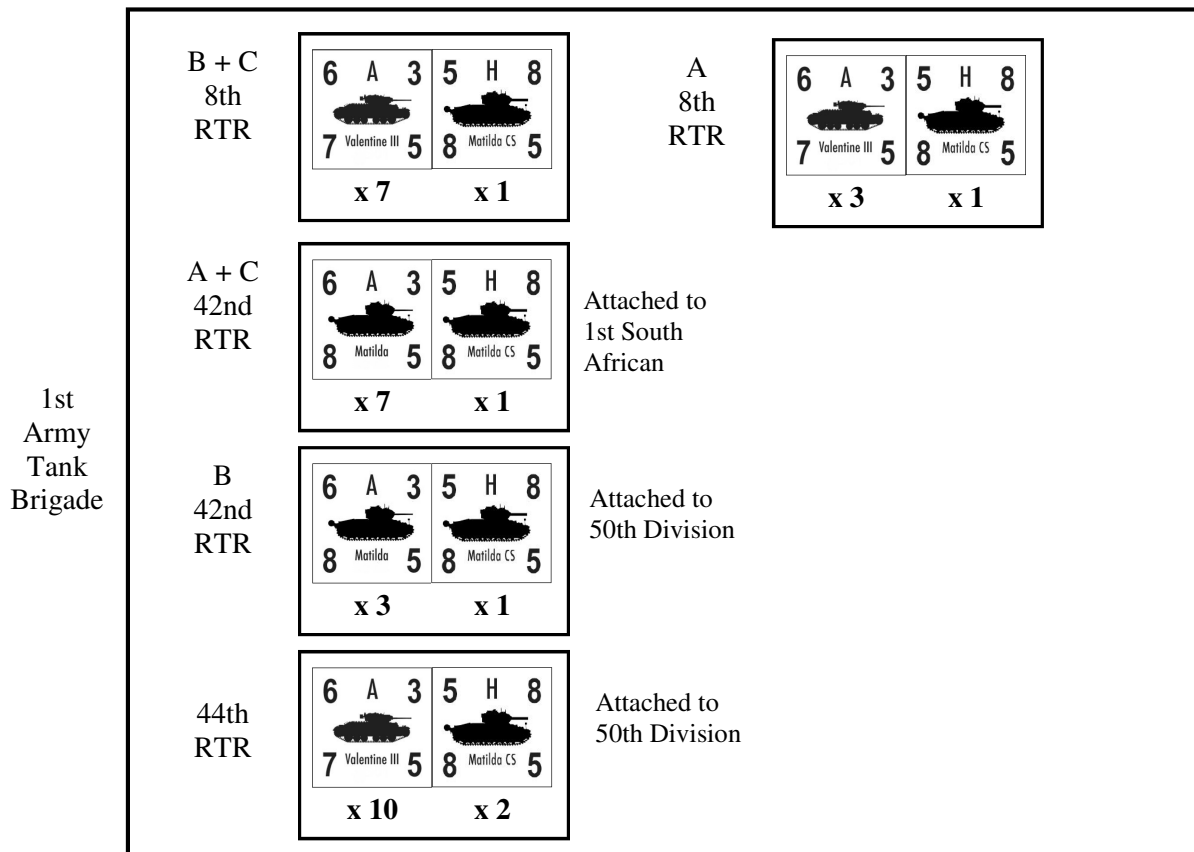


# 1st Army Tank Brigade

May 26, 1942



The 1st Army Tank Brigade was composed of infantry tanks and contained a mix of Matilda and Valentine tanks. At the start of Gazala, most of the 1st Army tank brigade was attached to the 1st South African and the British 50th Infantry divisions, with the remainder stationed just to the northeast of the 150th Brigade box from the 50th Infantry Division. As the battle developed, parts of this brigade were committed piecemeal in harassment attacks against the Axis forces. When the order to retreat finally came, the remains of the brigade went to Tobruk where they reformed as a composite unit with the 32nd Army Tank Brigade. This composite brigade was then surrendered when Tobruk fell.