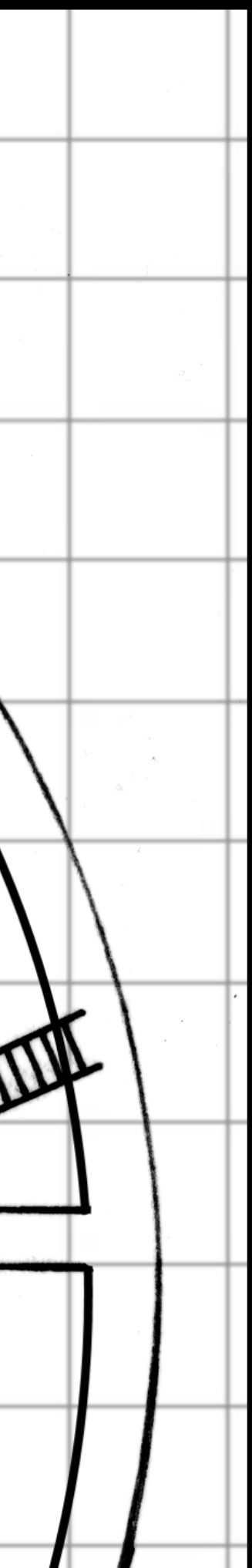
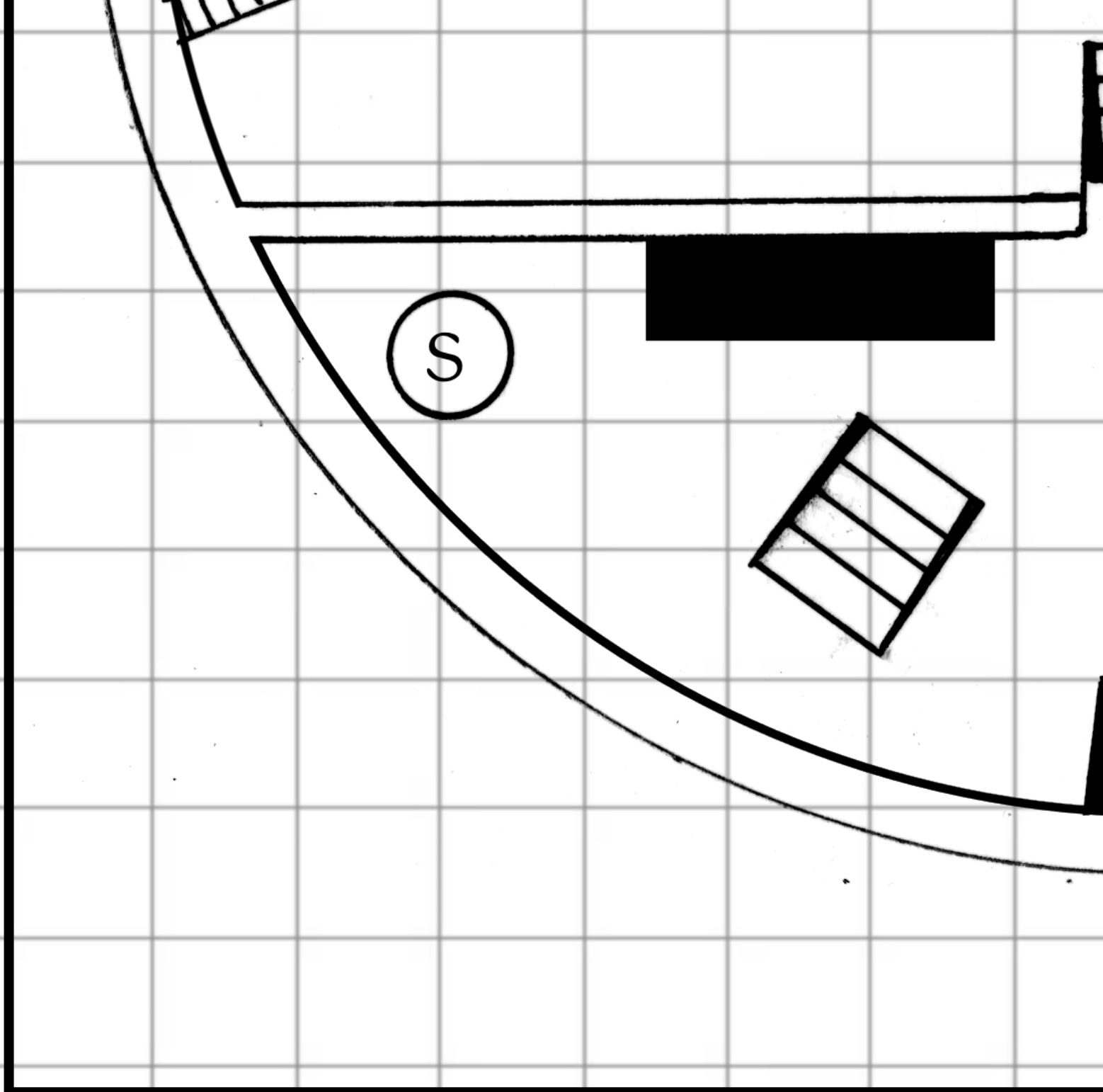
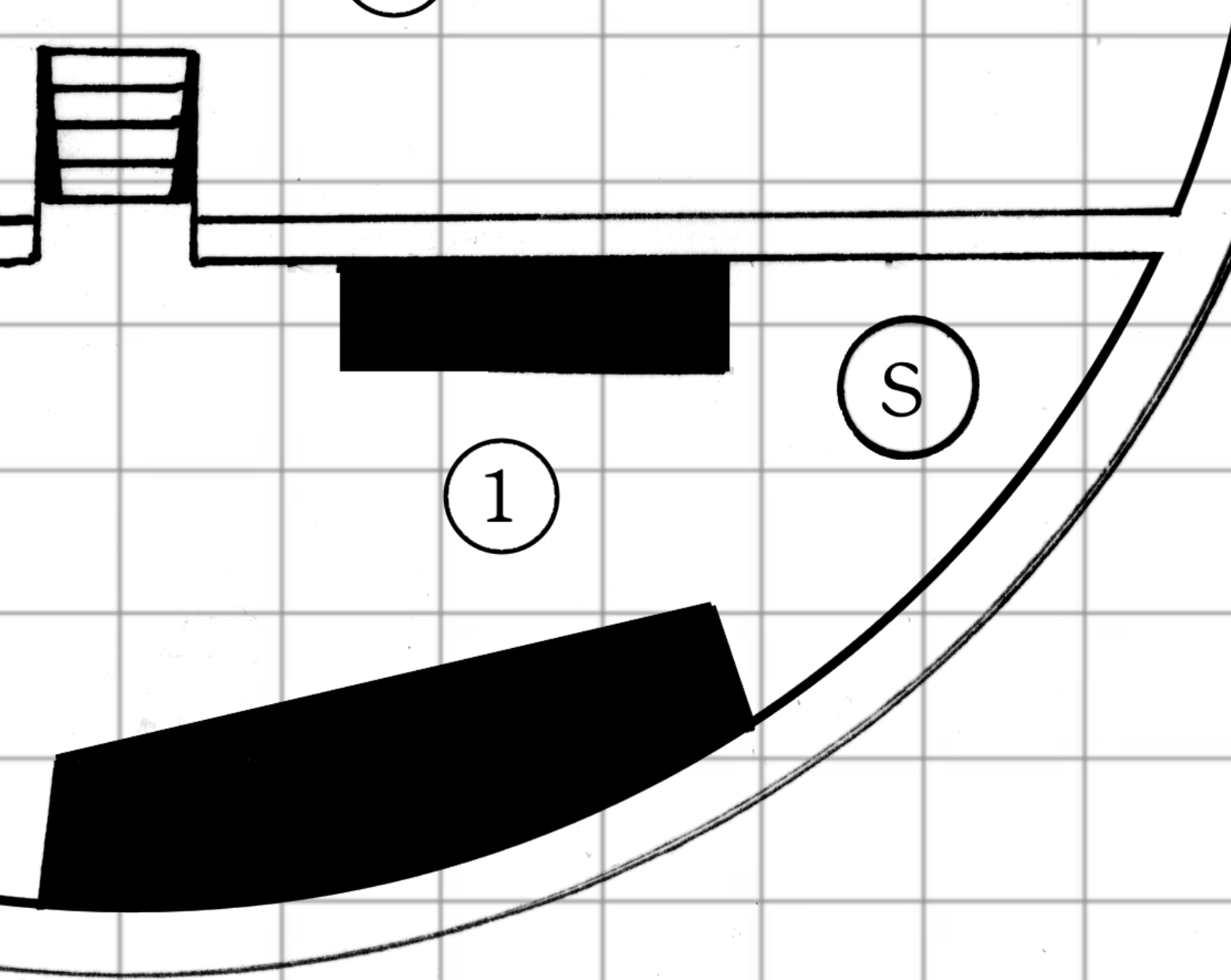


3

2







(1 square = 5 feet)

