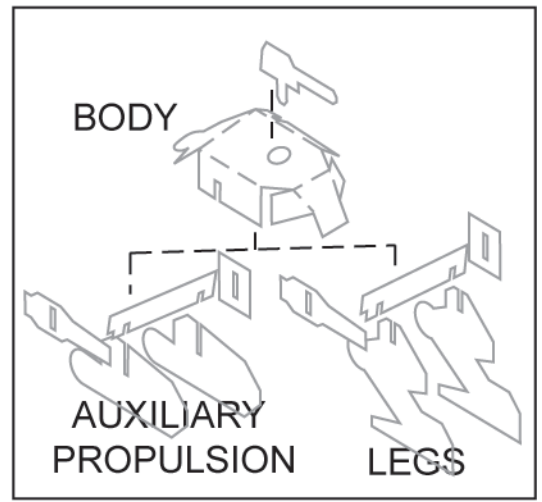




CAVALIER

Cut out WWII Walker
15mm / 1:100 Scale



There are enough parts to build 4 Walkers.

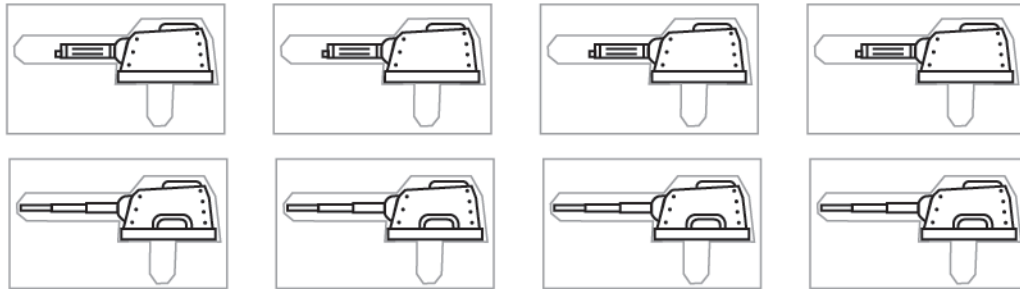
Instructions: Print out paper and paste to a 1mm or .040 thick sheet of cardboard. Score all the dashed lines. Cut out all the pieces marked with an X. Cut out all pieces following the grey lines, starting with the slits. Fold and assemble the pieces according to the schematic.

Additional Instructions:

The parts included on this page are the reverse sides of some of the smaller parts, like turrets. First, make sure that the first page is glued to the card. Cut out the black rectangular box on the front side, then cut out the matching box on the second page. Glue the back side piece to the back of the card, making sure that both sides line up, and leave to dry. Once dry, cut out the piece following the grey lines, starting with the slits.

To model the Cavalier I, simply remove the turret.

Feel free to colour!



Weapons:



M1918A4 Browning .30 LMG



Vickers HMG



QF 1.2 pdr Cannon



Grenade Launchers

Variants:

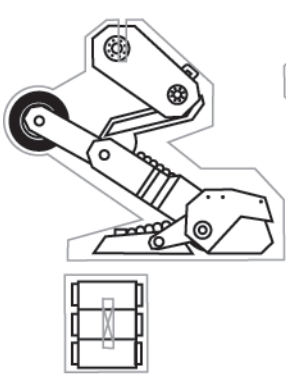
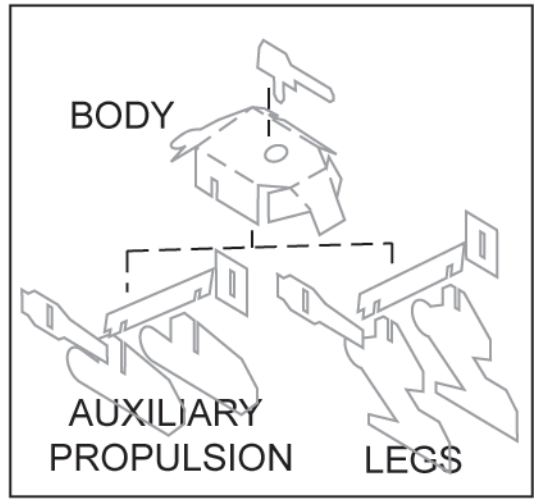
Cavalier I: Hull HMG, LMG & Grenades
Cavalier II: Turret HMG, LMG & Grenades
Cavalier III: Turret 1.2 pdr, LMG & Grenades

GEAR KRIEG™

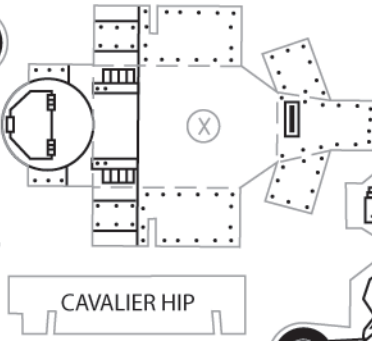
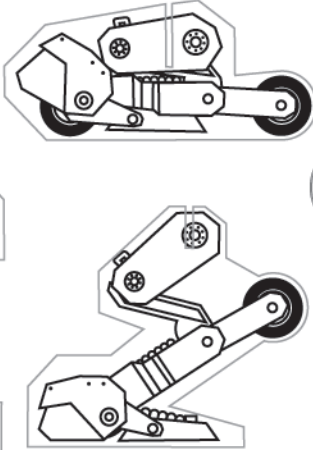
CAVALIER

Cut out WWII Walker
15mm / 1:100 Scale

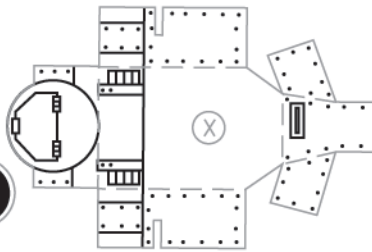
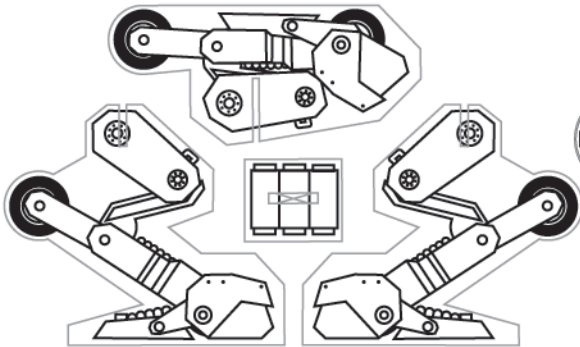
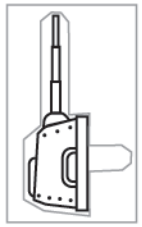
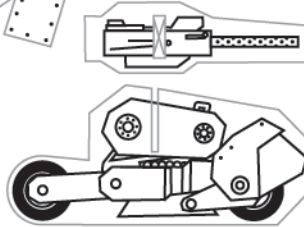
Paste this page on card



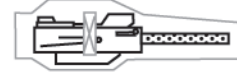
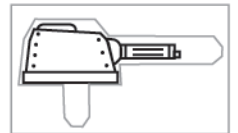
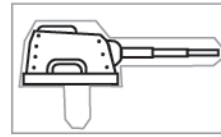
CAVALIER SMS



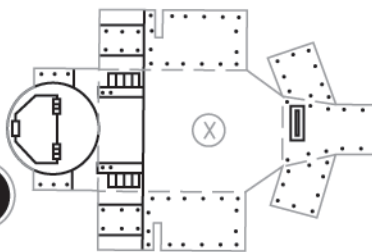
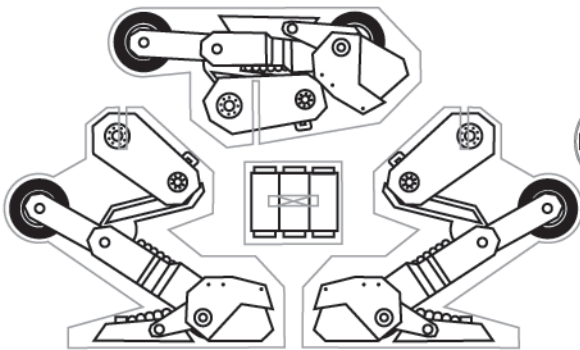
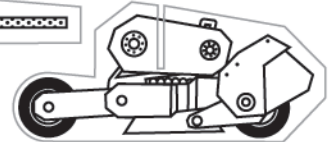
CAVALIER HIP



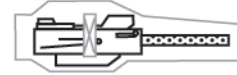
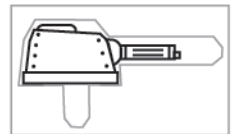
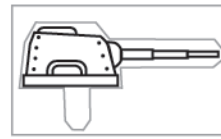
CAVALIER HIP



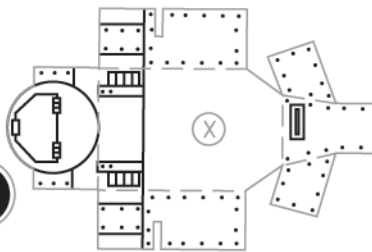
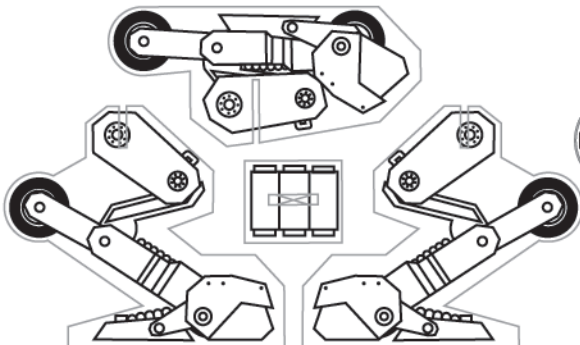
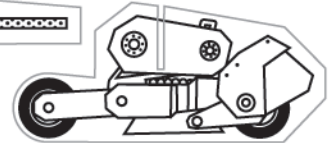
CAVALIER SMS



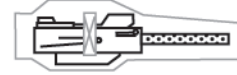
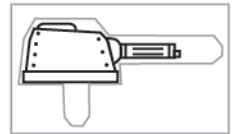
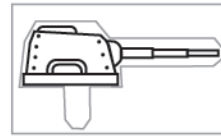
CAVALIER HIP



CAVALIER SMS



CAVALIER HIP



CAVALIER SMS

