

Narrative domino is a variation on classic domino. It is a cooperative or solo experience and a brainstorming tool for branching stories. Each card has two word options to choose from and different paths connecting to other cards. (See template below)

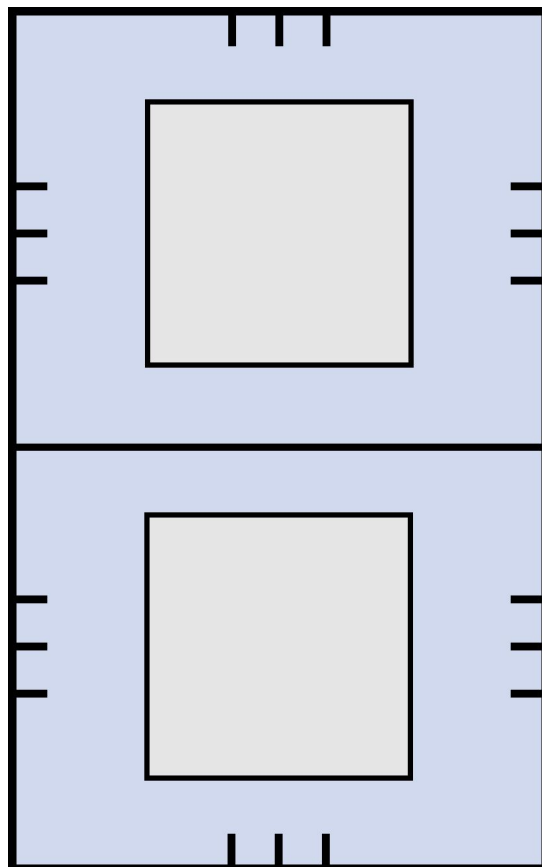
Required cards (Template and examples below):

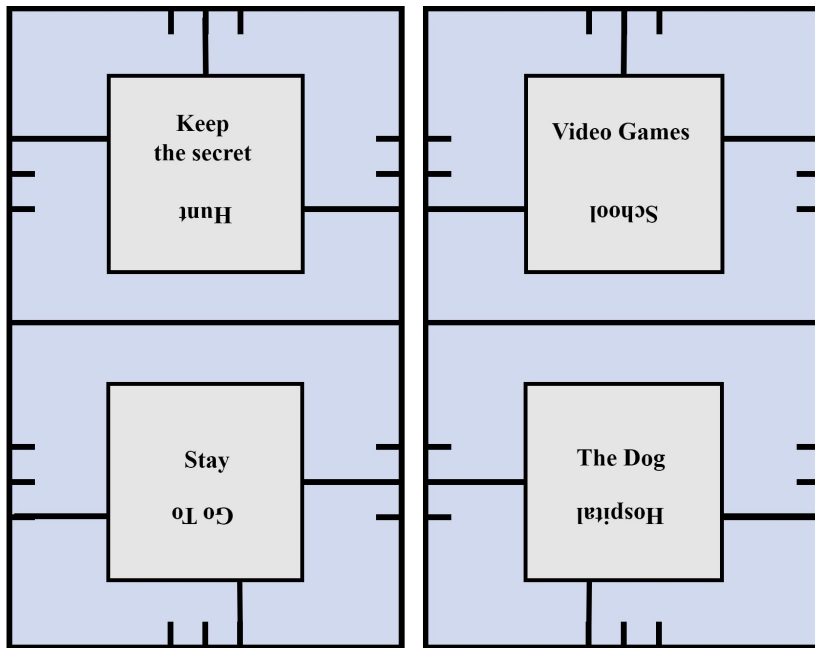
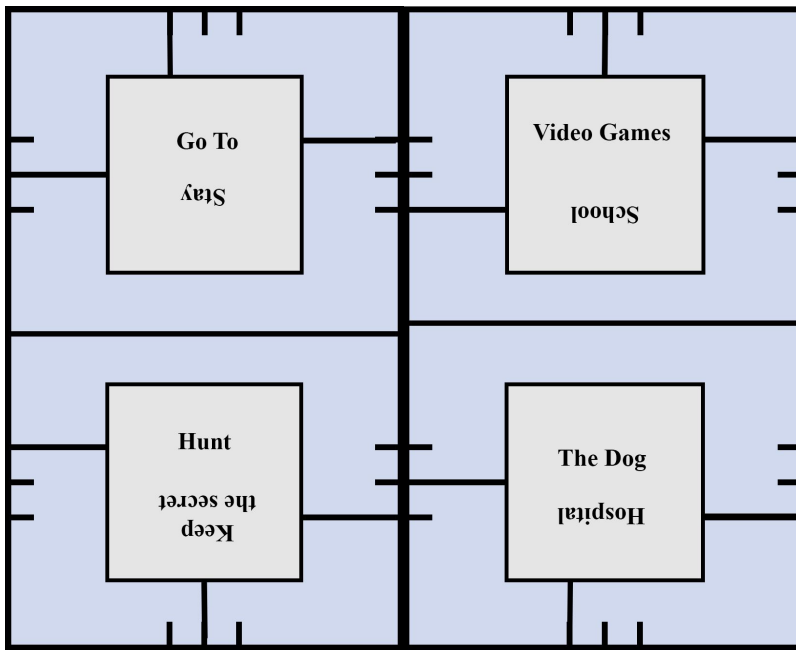
- At least one blank card per player.
- As many cards as you want about a certain topic!

Game Rules:

- Players start with one blank card each and later draw 4 cards from the shared deck.
- Players take turns placing cards on the table. (You can decide who starts however you want).
- Only cards that connect each other can be placed together.
- Players can draw a new card at any moment during the play session.
- The game ends where there are no more cards to draw and all the players have placed their cards.

At the end of the game you should have a sizeable branching story with different paths and decisions to choose from.





This work is licensed under a Creative Commons Attribution-ShareAlike 4.0 International License
 By Martín Ariza García



