

Arduino Bootcamp : From Novice to Professional - Learning Through Projects

Controlling an CPU Fan - Button Speed Control - Part 2

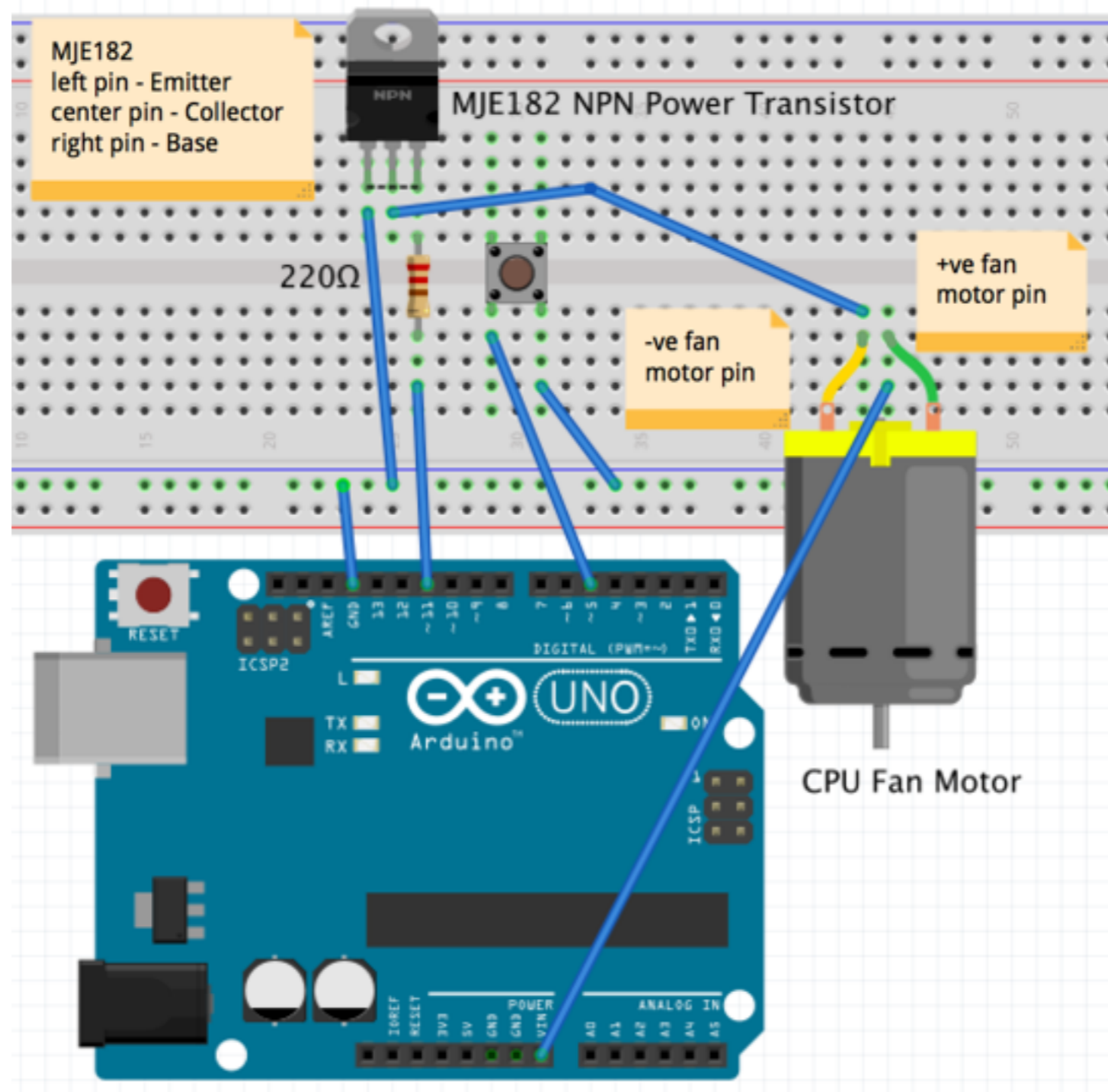
Project Objectives

- In this project you will learn:
 - Will build upon our previous circuit
 - Using a button to control our fan
 - Understanding an internal pullup resistor via `INPUT_PULLUP` on the Arduino

Parts

- Arduino Uno
- USB A-B cable
- Breadboard
- CPU Fan
- 220 Ω resistor
- MJE182 npn power transistor
- Push Button Switch
- Connecting wires
- 12V DC Power Supply

Circuit Diagram



Summary

- In this project you learnt:
 - How a button can be used to control a CPU fan
 - Using an Arduino internal pullup resistor via `INPUT_PULLUP`