

Arduino Bootcamp : Learning Through Projects

Controlling an LED with the Arduino

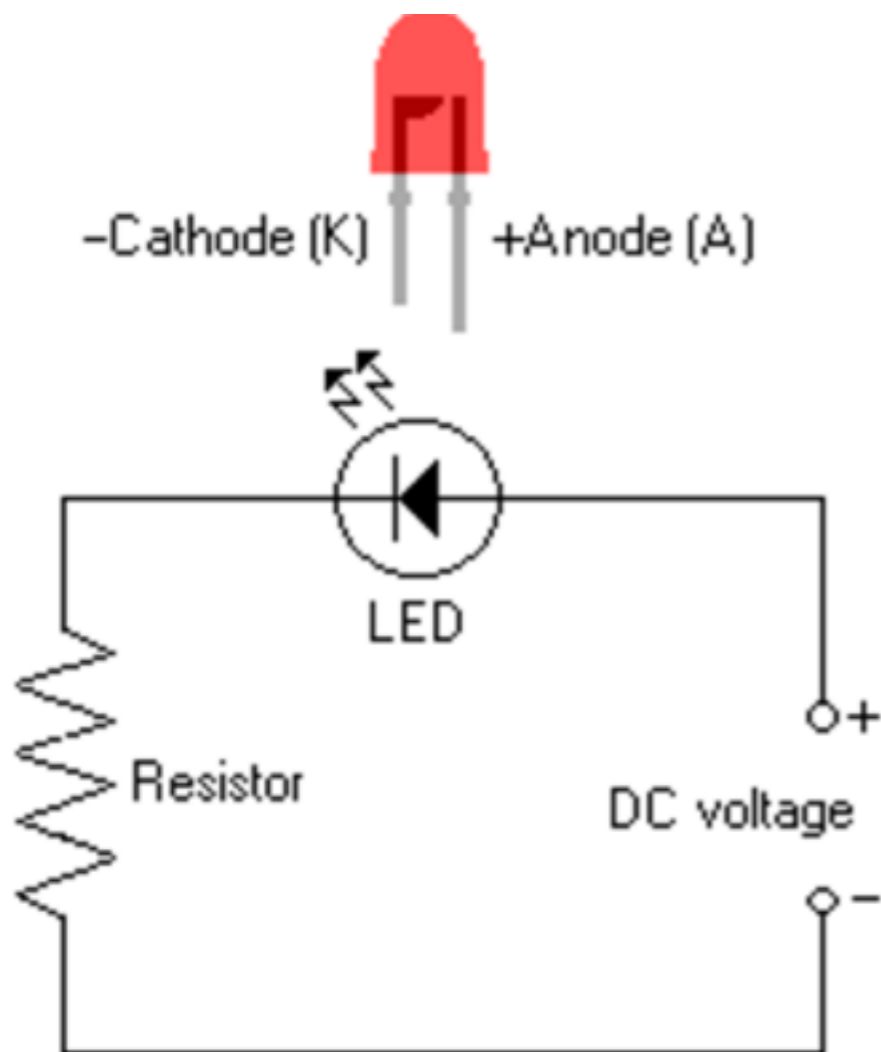
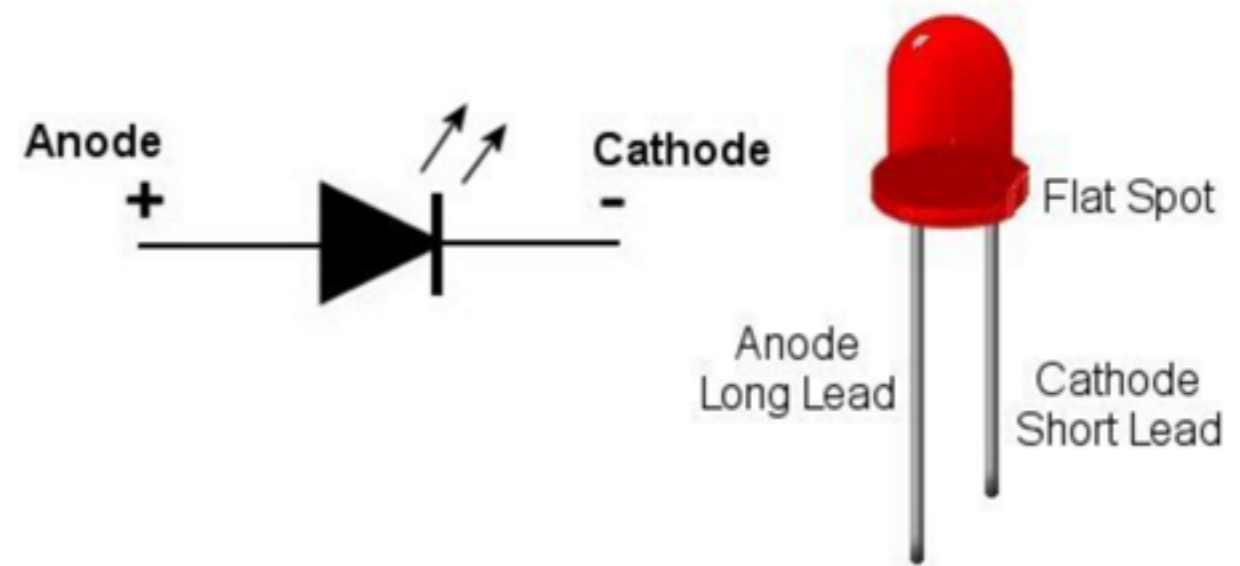
Project Objectives

- In this project you will learn:
 - How an LED works
 - How to wire an LED in a circuit
 - Using the pinMode() function
 - Using the digitalWrite() function
 - Using the delay() function

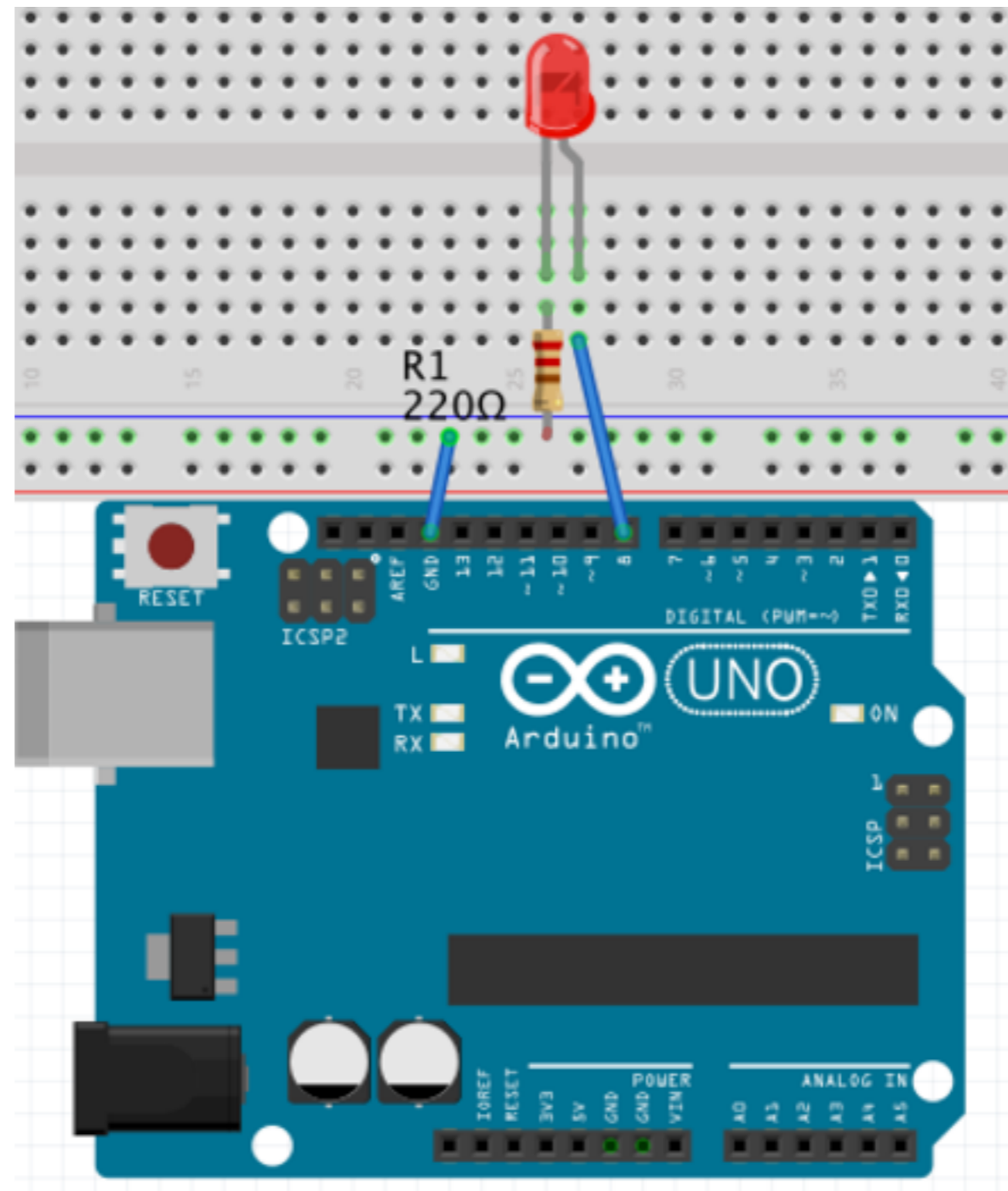
Parts

- Arduino Uno
- USB A-B cable
- Breadboard
- Red LED (or any color)
- 220 Ω resistor
- Connecting wires

LED (Light Emitting Diode)



Circuit Diagram



Summary

- In this project you learnt:
 - How an LED works
 - How to connect an LED in a circuit
 - Using the `pinMode()` function
 - Using the `digitalWrite()` function
 - Using the `delay()` function