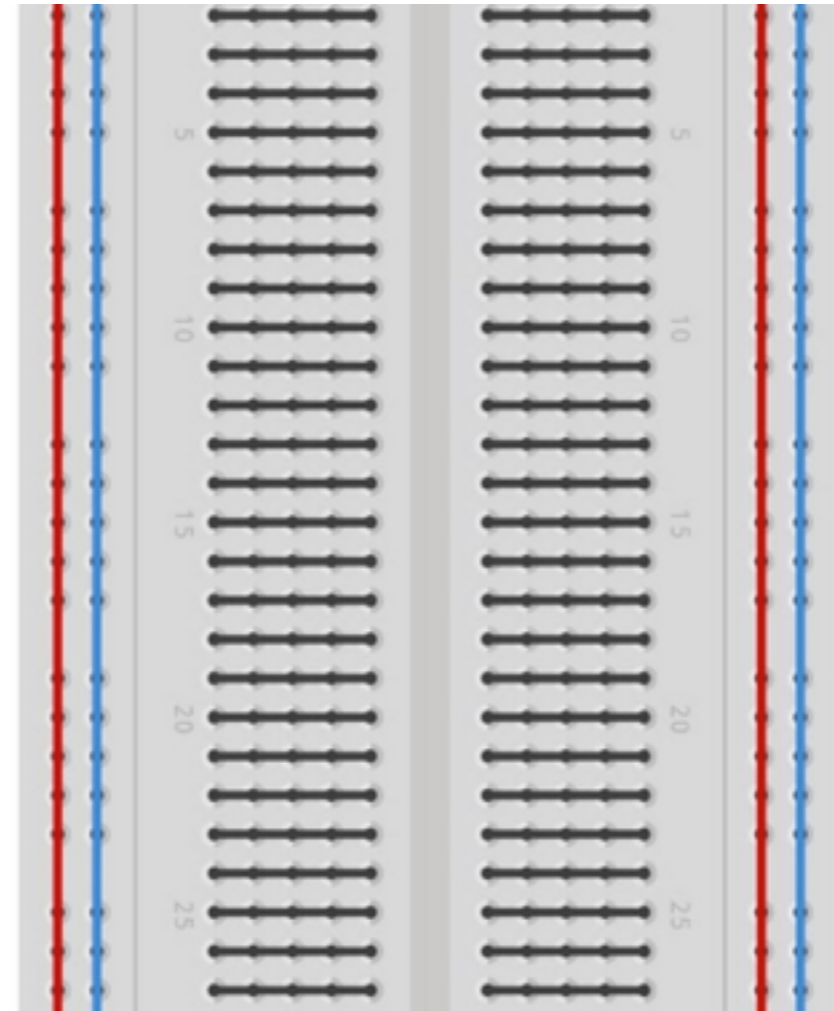


Arduino Bootcamp : Learning Through Projects

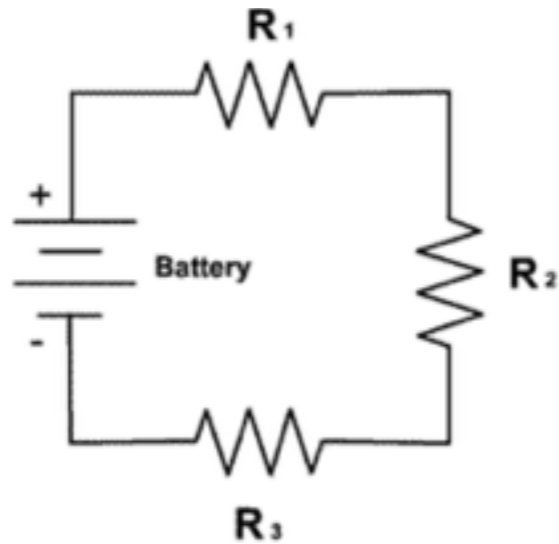
How to use a Breadboard and Basic Wiring Concepts

Using a Breadboard

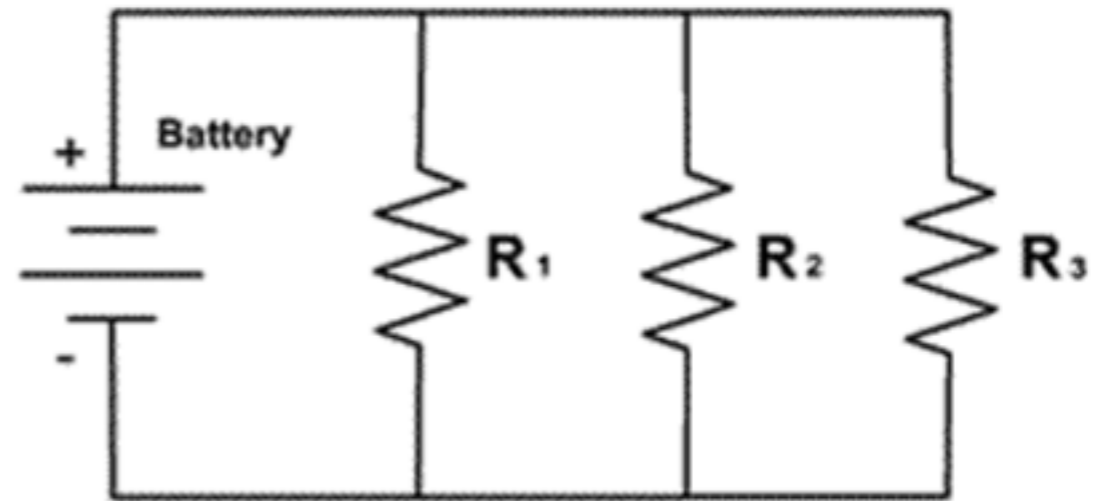
- Used for quick prototyping
- No soldering needed
- Contains two power rails on the longest sides of the breadboard (one can be used as a positive (+ve) rail and the other a negative (-ve) rail)
- There is a break in connections in the middle of the board
- Rows are horizontally connected



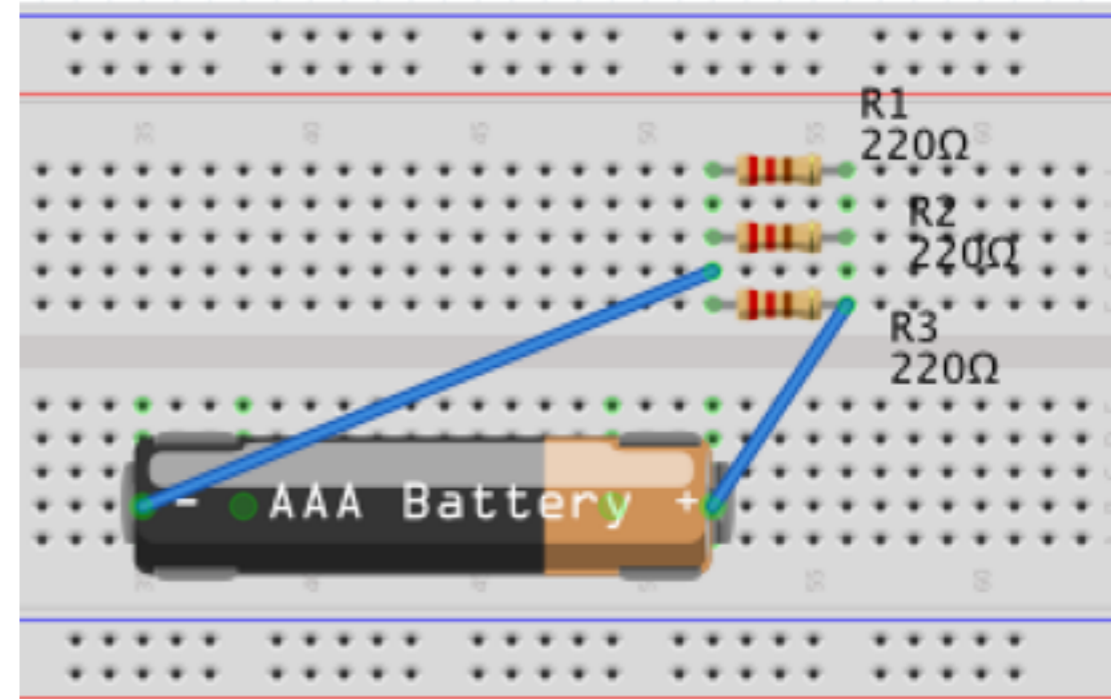
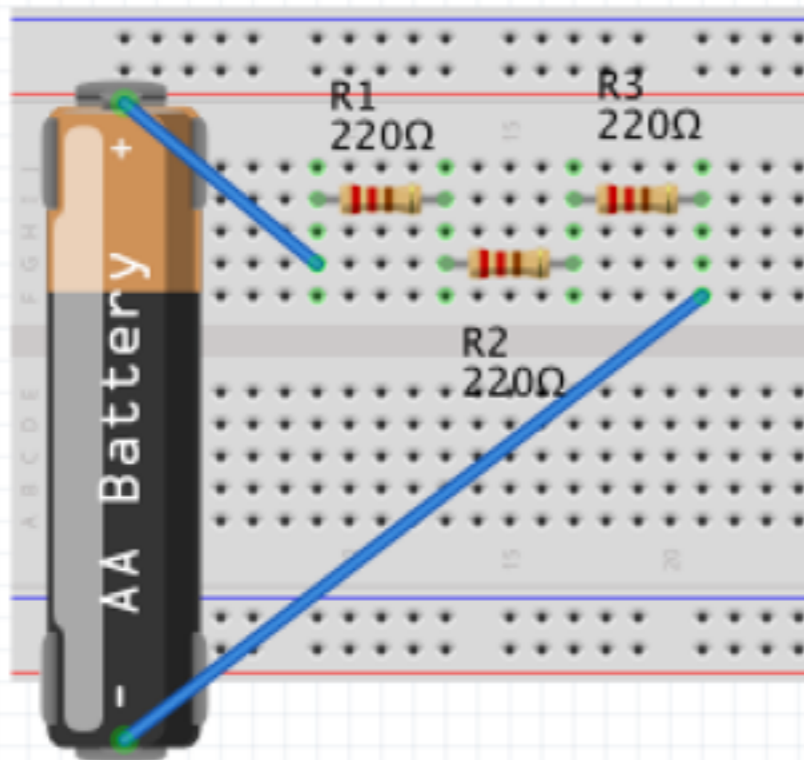
Series and Parallel Circuits



Series



Parallel



Summary

- In this lesson you learnt:
 - What are breadboards
 - How they can be used to enable quick prototyping
 - The basics of series and parallel circuits
 - How to connect these on a breadboard