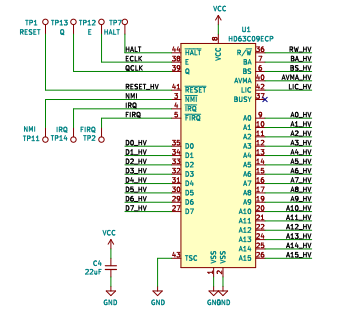
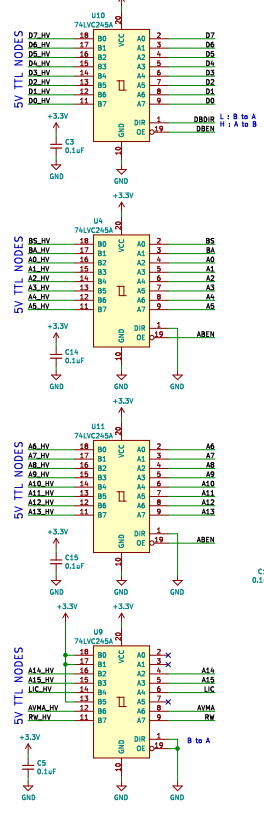


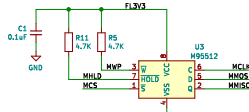
HD63C09E CENTRAL PROCESSING UNIT



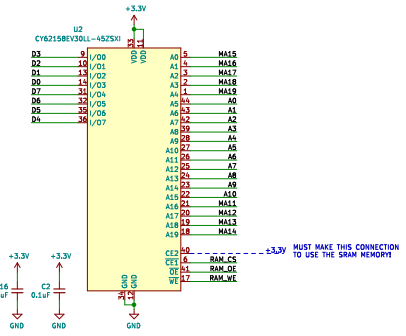
BUS LEVEL TRANSLATORS



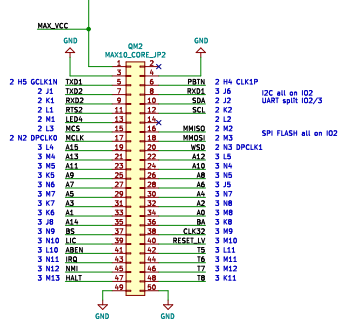
64KB SPI FLASH



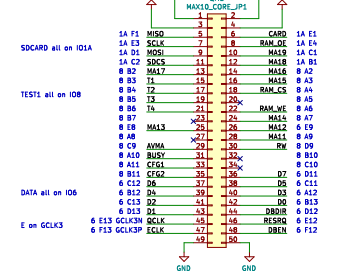
1024KB STATIC RAM



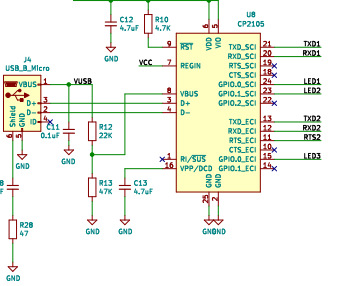
MAX CORE



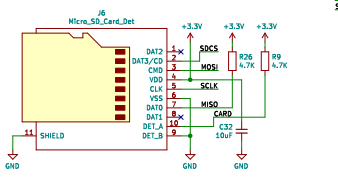
SDCARD



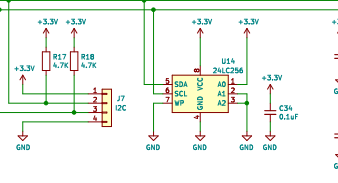
DUAL HIGH-SPEED USB TO UART BRIDGE



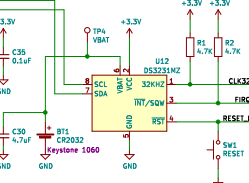
SPI-MODE SD CARD INTERFACE



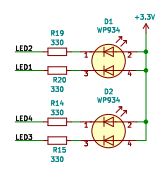
EEPROM ADDR: 0xA2 WRITE, 0xA3 READ



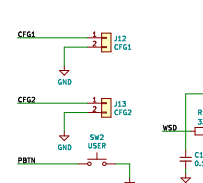
RTC ADDR: 0x0D WRITE, 0x1D READ



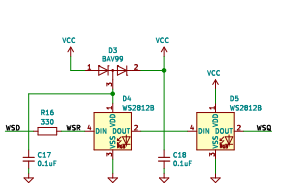
INDICATOR LEDS



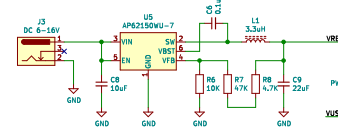
CONFIG JUMPERS & BUTTON



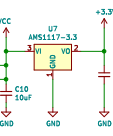
RGB LEDS



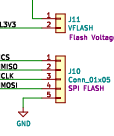
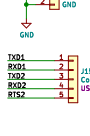
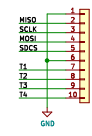
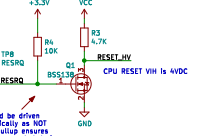
6-16V EXTERNAL SUPPLY INPUT



3.3V REGULATOR



RESET GENERATION



SPUZIK logo and project information including URL, sheet number, title, date, and version.